

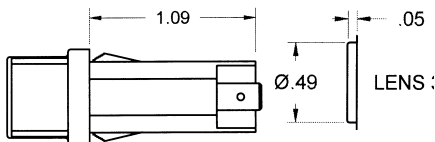
# PANEL LAMPS & INDICATOR LIGHTS

A quality series of indicator lights, offered with a choice of 6" lead wires or .187" quick connect tab electrical terminations. All of the light assemblies on this page are for insertion in a 0.50" diameter round hole in panels with a minimum thickness of .030". The high voltage neon lamps may be connected directly to rated powerline voltages without the need for additional components.

## .50" (1/2") HOLE SIZE - .187 "QUICK Connect"



Note: Green Neon lamps are genuine green light generating lamps and not simply green lenses on ordinary neon bulbs.



### SPECIFICATIONS

Body Material: Nylon (white)  
 Lens Material: Polycarbonate  
 Bezel Material: Stainless Steel  
 Panel Thickness: .030" to .093"  
 Mounting hole: 0.50" diameter  
 Types: Neon and Incandescent  
 Lens Styles: Cylinder diamond, (except white lens-cylinder translucent) two lens heights.  
 (see chart, drawings)

Philmore Part No.	Lens Color	Lens Type	Lens Height	Lamp Type
11-2160	Red	Transparent	.20" high	12-14V INCANDESCENT
11-2162	Amber	Transparent	.20" high	12-14V INCANDESCENT
11-2164	White	Translucent	.20" high	12-14V INCANDESCENT
11-2166	Clear	Transparent	.20" high	12-14V INCANDESCENT
11-2168	Green	Transparent	.20" high	12-14V INCANDESCENT
11-2180	Red	Transparent	.20" high	28V INCANDESCENT
11-2182	Amber	Transparent	.20" high	28V INCANDESCENT
11-2184	White	Translucent	.20" high	28V INCANDESCENT
11-2186	Clear	Transparent	.20" high	28V INCANDESCENT
11-2188	Green	Transparent	.20" high	28V INCANDESCENT
11-2200	Red	Transparent	.20" high	125V NEON
11-2202	Amber	Transparent	.20" high	125V NEON
11-2204	White	Translucent	.20" high	125V NEON
11-2206	Clear	Transparent	.20" high	125V NEON
11-2208	Green	Transparent	.20" high	125V NEON
11-2210	Red	Transparent	.20" high	250V NEON
11-2212	Amber	Transparent	.20" high	250V NEON
11-2214	White	Translucent	.20" high	250V NEON
11-2216	Clear	Transparent	.20" high	250V NEON
11-2218	Green	Transparent	.20" high	250V NEON

Philmore Part No.	Lens Color	Lens Type	Lens Height	Lamp Type
11-2100	Red	Transparent	.05" low	28V INCANDESCENT
11-2102	Amber	Transparent	.05" low	28V INCANDESCENT
11-2104	White	Translucent	.05" low	28V INCANDESCENT
11-2106	Clear	Transparent	.05" low	28V INCANDESCENT
11-2108	Green	Transparent	.05" low	28V INCANDESCENT
11-2120	Red	Transparent	.05" low	125V NEON
11-2122	Amber	Transparent	.05" low	125V NEON
11-2124	White	Translucent	.05" low	125V NEON
11-2126	Clear	Transparent	.05" low	125V NEON
11-2128	Green	Transparent	.05" low	125V NEON
11-2140	Red	Transparent	.05" low	250V NEON
11-2142	Amber	Transparent	.05" low	250V NEON
11-2144	White	Translucent	.05" low	250V NEON
11-2146	Clear	Transparent	.05" low	250V NEON
11-2148	Green	Transparent	.05" low	250V NEON

## Splash Proof Indicator Lamp (M-Series) for Indoor or Outdoor Harsh Environments .375" (3/8") Hole Size - 6" leads

The "M" series splash proof indicator light mounts securely to the panel (3/8" Mtg. Hole) with an O-Ring, lock washer and hex nut to provide a weather proof seal. The "M" series is available in 14V and 125V AC rating and illumination is produced with incandescent lamp (14V) or neon lamp (125V). Termination is 6" leads.

The "M" series is supplied with a popular small dome lens in Red, Green, Amber, Blue and White. Stainless steel bezels are specified for an attractive look and durability against the front panel. Splash Proof, ideal for harsh environments and suitable for indoor or outdoor use.

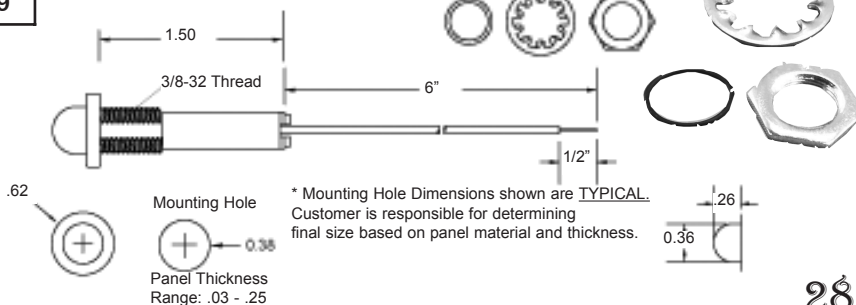
Dome Indicator Lights (M-Series)		
12-14V Incandescent	Lens Color	125V Neon
11-2830	Red	11-2840
11-2832	Amber	11-2842
11-2834	White	11-2844
11-2838	Green	11-2848
11-2839	Blue	11-2849

### NEMA 3R



### Typical Applications:

- \* Transportation
- \* Industrial Machinery
- \* Emergency Vehicles
- \* Food Equipment
- \* Marine Panels
- \* RV's



### Technical Data:

- \* Fits into 0.375" panel hole.
- \* Incandescent and Neon illumination.
- \* Splash proof design
- \* Supplied with hex nut, lockwasher and O-Ring.
- \* Small dome lens
- \* Body Material: Nylon
- \* Lens Material: Polycarbonate
- \* Bezel Material: Stainless Steel
- \* Wire Gauge: 20ga
- \* Wire Strip 1/2"

**NEMA 3R**