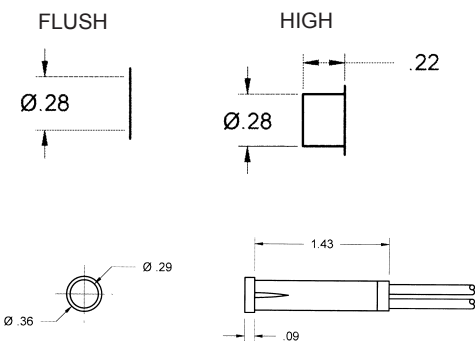


PANEL LAMPS & INDICATOR LIGHTS

The following indicator light selections, intended for both replacement and OEM usage, provide the buyer with a variety of lamp types for uses ranging from low voltages to direct AC power line connections. The neon lamps in this section do not require additional components when connecting to the rated voltages.

On this page are assemblies for insertion into .312" diameter round holes in panels with a minimum thickness of .030". See the previous pages for larger lamps intended for insertion in .500" diameter holes. Spring clips made to be used in cases where hole size or panel thickness do not provide a tight fit (See below).

.312" (5/16") Hole Size - 6" Leads



Note: Green Neon lamps are genuine green light generating lamps and not simply green lenses on ordinary neon bulbs.

All lamps in this series are for press-fit into .312" diameter holes and have the following features:

- Body Material: Nylon
- Lens Material: Polycarbonate
- Lens Style: Flush diamond (except white lens-flush translucent), two lens style. (see chart drawing)
- Bezel: None on flush lens, Chrome plated Brass on high lens.
- Wire gauge: 18awg
- Wire strip: 1/2"
- Termination: 6" wire leads
- Panel thickness: .030" min.
- 125V and 250V lamp assemblies are UL Listed.
- All products made in North America.
- All are Non relampable.

Philmore Part No.	Lens Color	Lens Type	Lamp Type	Bezel Type	Lens Style
11-2000	Red	Transparent	12-14V INCANDESCENT	white	flush
11-2002	Amber	Transparent	12-14V INCANDESCENT	white	flush
11-2004	White	Translucent	12-14V INCANDESCENT	white	flush
11-2006	Clear	Transparent	12-14V INCANDESCENT	white	flush
11-2008	Green	Transparent	12-14V INCANDESCENT	white	flush
11-2010	Blue	Transparent	12-14V INCANDESCENT	white	flush
11-2018	Red	Transparent	28V INCANDESCENT	white	flush
11-2020	Amber	Transparent	28V INCANDESCENT	white	flush
11-2022	White	Translucent	28V INCANDESCENT	white	flush
11-2024	Clear	Transparent	28V INCANDESCENT	white	flush
11-2026	Green	Transparent	28V INCANDESCENT	white	flush
11-2028	Blue	Transparent	28V INCANDESCENT	white	flush
11-2035	Red	Transparent	125V NEON	white	flush
11-2037	Amber	Transparent	125V NEON	white	flush
11-2039	White	Translucent	125V NEON	white	flush
11-2041	Clear	Transparent	125V NEON	white	flush
11-2044	Green	Transparent	125V NEON	white	flush
11-2050	Red	Transparent	250V NEON	white	flush
11-2052	Amber	Transparent	250V NEON	white	flush
11-2054	White	Translucent	250V NEON	white	flush
11-2056	Clear	Transparent	250V NEON	white	flush
11-2059	Green	Transparent	250V NEON	white	flush
11-2062	Red	Transparent	125V NEON	chrome	High
11-2064	Amber	Transparent	125V NEON	chrome	High
11-2066	White	Translucent	125V NEON	chrome	High
11-2068	Clear	Transparent	125V NEON	chrome	High
11-2070	Green	Transparent	125V NEON	chrome	High

SPRING CLIPS

Spring clips for lamp assemblies. In situations where panel hole size and/or panel thickness does not allow a tight fit, a spring clip may be used to secure the assembly. Spring clips are available for both the .312" and .50" diameter lamp. In most installations, they will not be needed. A correctly sized hole will allow a secure installation.



Philmore Part No.

Description

11-2075	5 -PAK SPRING CLIP FOR .312" Indicator light assemblies
11-2375	5 -PAK SPRING CLIP FOR .50" Indicator light assemblies

add "B" suffix to the part number for the bulk stock purchase; min, 100 pieces.