

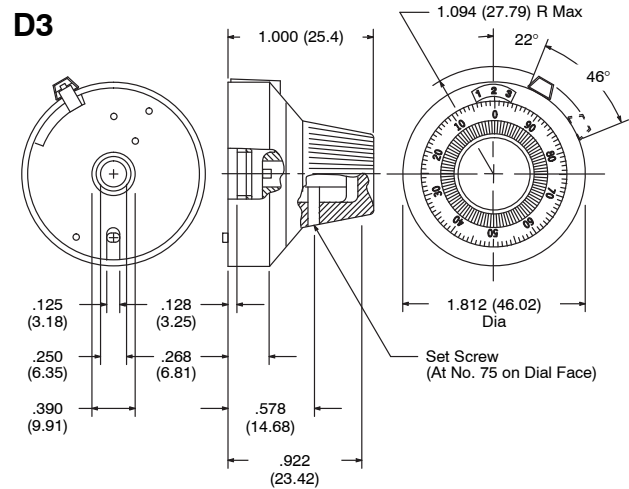
Features

- Vernier scale
- No. 4-40 hex socket set screw for mounting
- Brake lever knob
- Open window display
- Satin chrome finish, black markings



503-0006

Dial – 1 13/16” diameter, 1/4” dia shaft



Specifications

Operation

Readout and Operation: Unit shall register a total count of 1499. The number in the center of the window (0 thru 14) indicates completed number of turns of the drive sleeve. Graduated circular dial indicates the percent of a partial turn of the drive sleeve.

Minor Scale Division: 1/100 turn

Indication: 0 to 14.99 turn

Accuracy: Backlash shall be zero between graduated dial and drive sleeve

Rotation: The indication shall increase with clockwise and decrease with a counterclockwise rotation.

Transfer Point: The number in the center of the window shall change as graduated dial rotates between 94 and 0.

Mechanical

Shaft Bore: 0.250"

Runout: 0.004 in/in (Note 1)

Mounting: Unit shall mount directly to shaft with No. 4-40 hex socket set screw, located adjacent to No. 75 on graduated dial (hex key included).

Note 1. Dial to be free running and without binds when axis of drive sleeve is perpendicular to mounting surface within the specified dimension.

NTE Part No.	Equivalent Spectrol No.	Numeric Display	No. of Turns	Diag No.
503-0006	21-1-11	Vernier Scale	15	D3